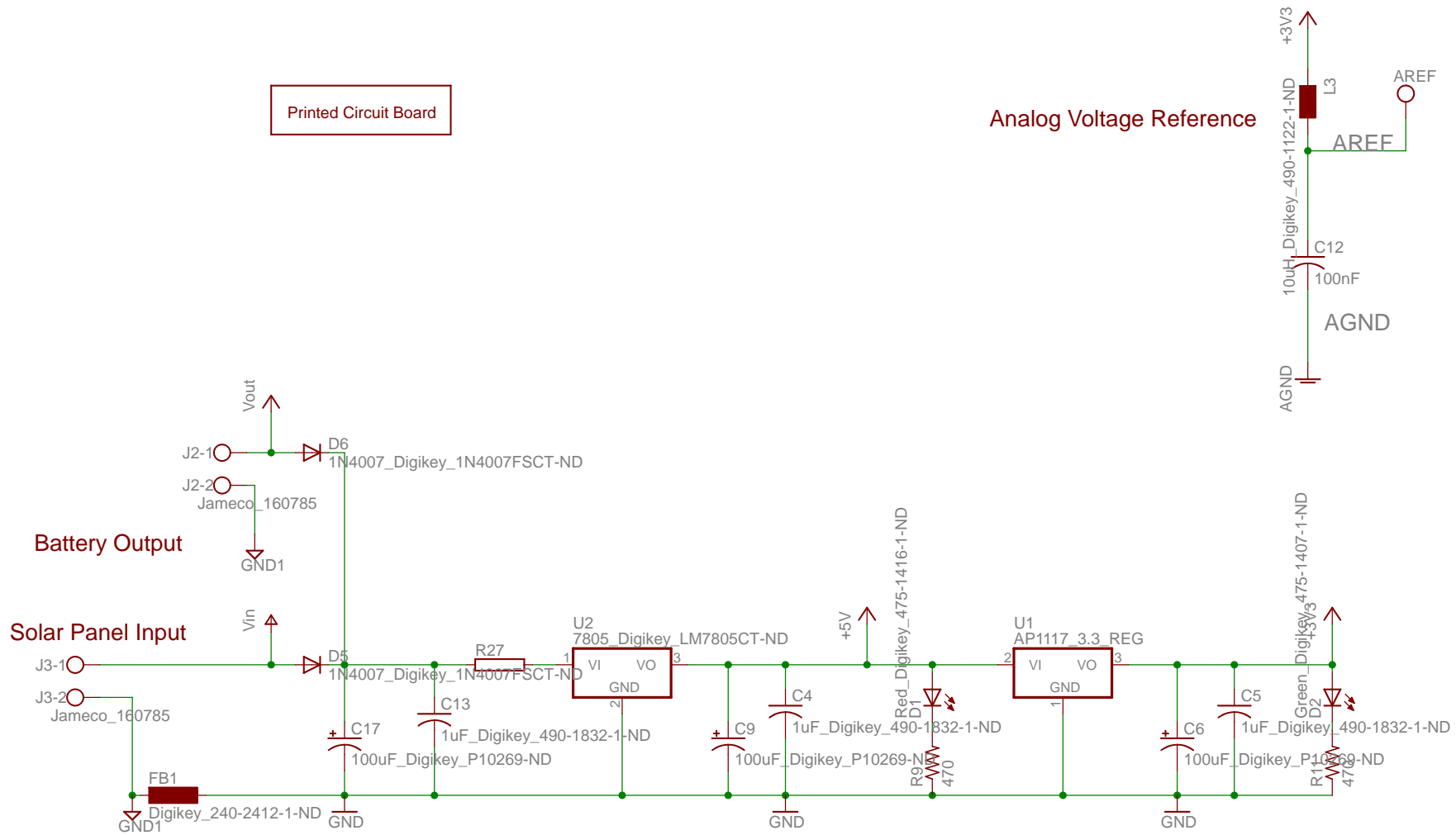


Printed Circuit Board

Analog Voltage Reference



## Power Supply & Analog Voltage Reference

Copyright 2010 by Chris Troutner under the Creative Commons Attribution-Share Alike 3.0 License. You are free to share, distribute, and modify this product so long as you give credit to the author (Chris Troutner) and distribute any resulting work under a similar or compatible license. More details can be found at: <http://creativecommons.org/licenses/by-sa/3.0/>

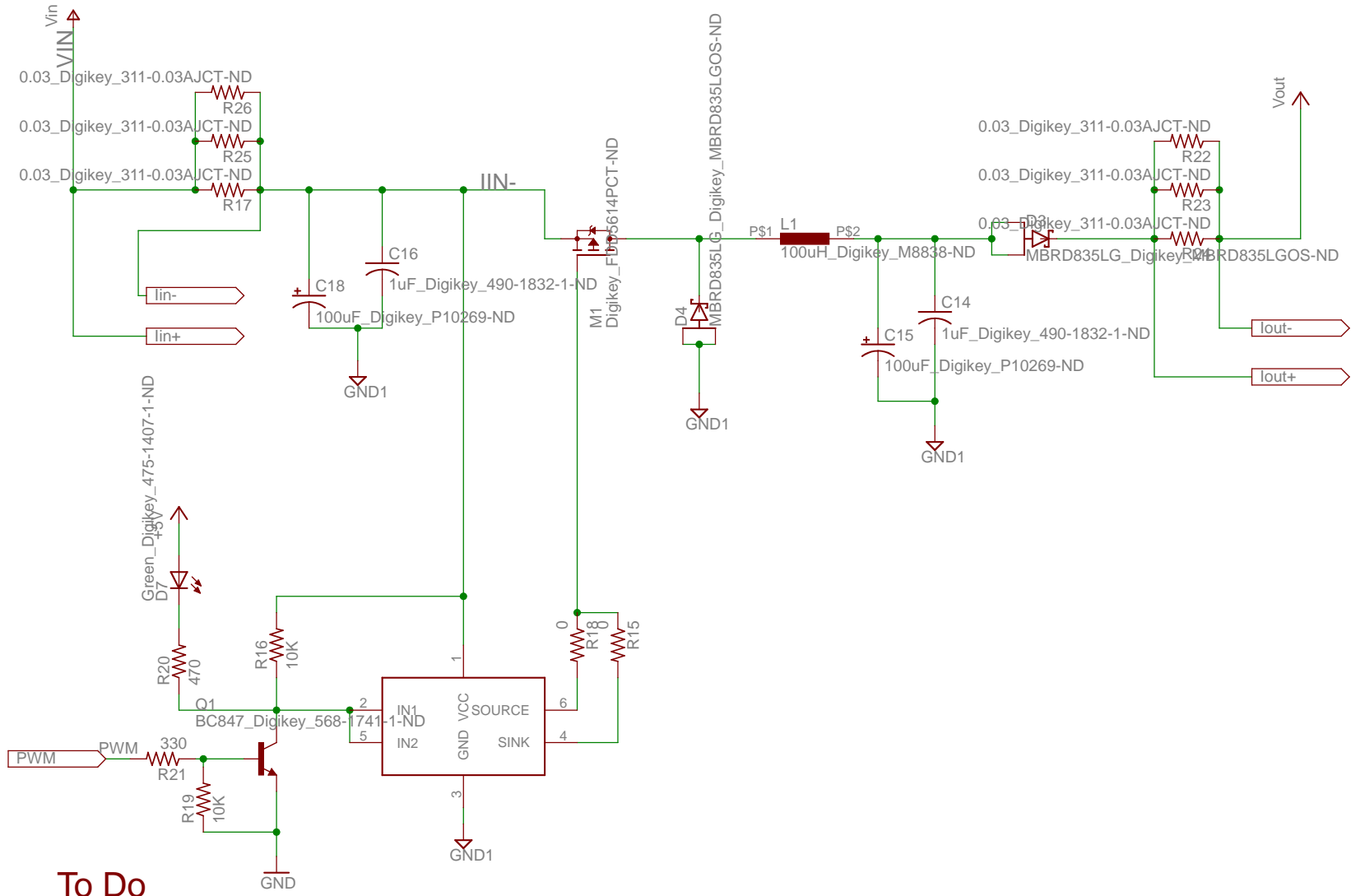
TITLE: ChargeControllerV2.00\_routed

Document Number:

REV:

Date: 6/22/2010 2:14:38 PM

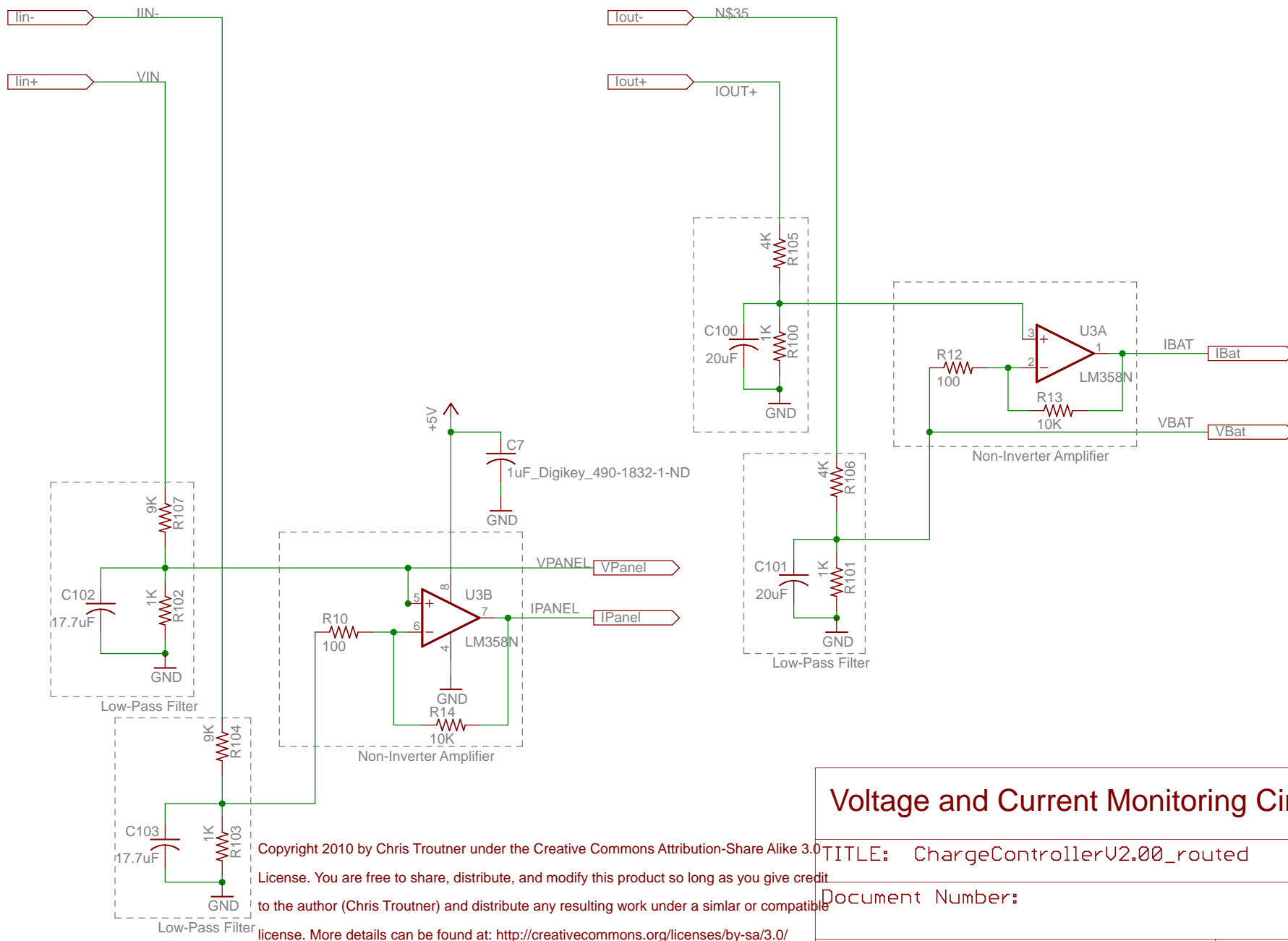
Sheet: 1/7



To Do

<b>Buck Converter</b>	
TITLE: ChargeControllerV2.00_routed	
Document Number:	REV:
Date: 6/22/2010 2:14:38 PM	Sheet: 2/7

Copyright 2010 by Chris Troutner under the Creative Commons Attribution-Share Alike 3.0 License. You are free to share, distribute, and modify this product so long as you give credit to the author (Chris Troutner) and distribute any resulting work under a similar or compatible license. More details can be found at: <http://creativecommons.org/licenses/by-sa/3.0/>



## Voltage and Current Monitoring Circuitry

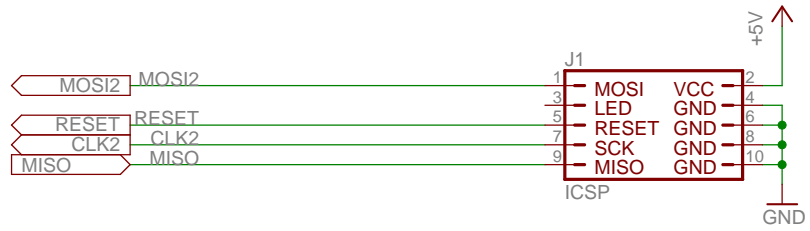
TITLE: ChargeControllerV2.00\_routed

Document Number: REV:

Date: 6/22/2010 2:14:38 PM

Sheet: 3/7

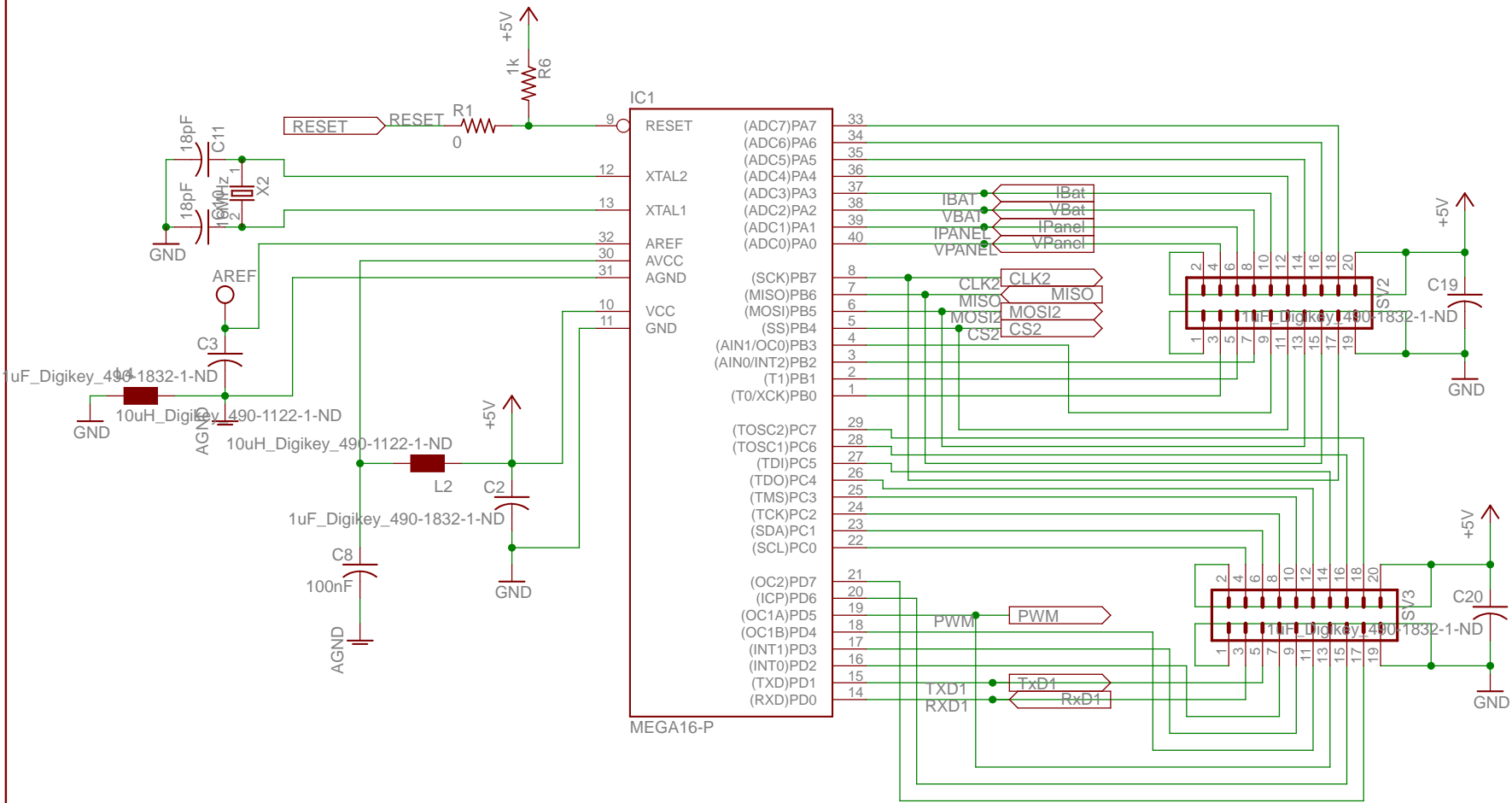
Copyright 2010 by Chris Troutner under the Creative Commons Attribution-Share Alike 3.0 License. You are free to share, distribute, and modify this product so long as you give credit to the author (Chris Troutner) and distribute any resulting work under a similar or compatible license. More details can be found at: <http://creativecommons.org/licenses/by-sa/3.0/>



To Do

Copyright 2010 by Chris Troutner under the Creative Commons Attribution-Share Alike 3.0 License. You are free to share, distribute, and modify this product so long as you give credit to the author (Chris Troutner) and distribute any resulting work under a similar or compatible license. More details can be found at: <http://creativecommons.org/licenses/by-sa/3.0/>

ICP Header	
TITLE: ChargeControllerV2.00_routed	
Document Number:	REV:
Date: 6/22/2010 2:14:38 PM	Sheet: 4/7



## ATMega16/32/64 Interface

TITLE: ChargeControllerV2.00\_routed

Document Number:

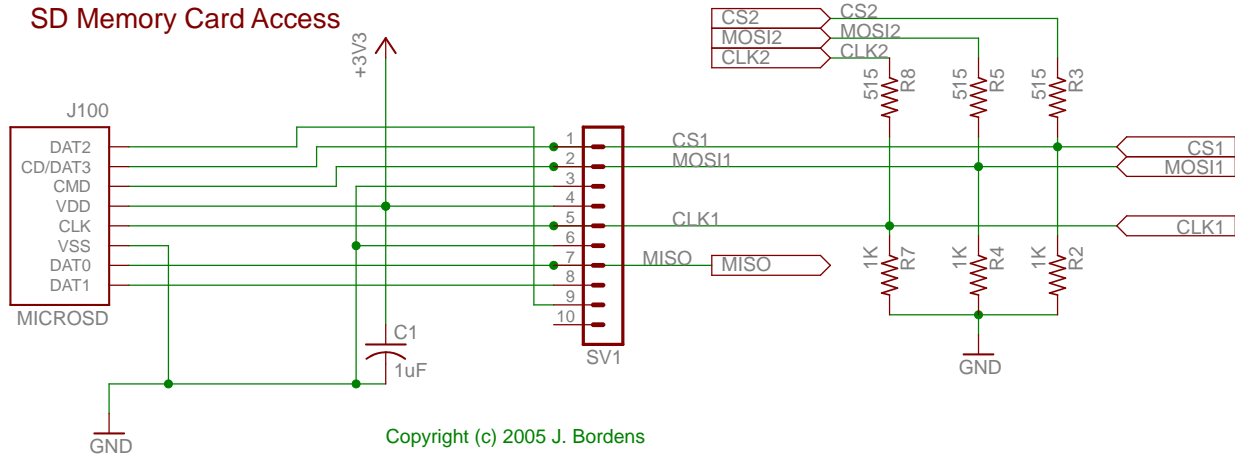
REV:

Date: 6/22/2010 2:14:38 PM

Sheet: 5/7

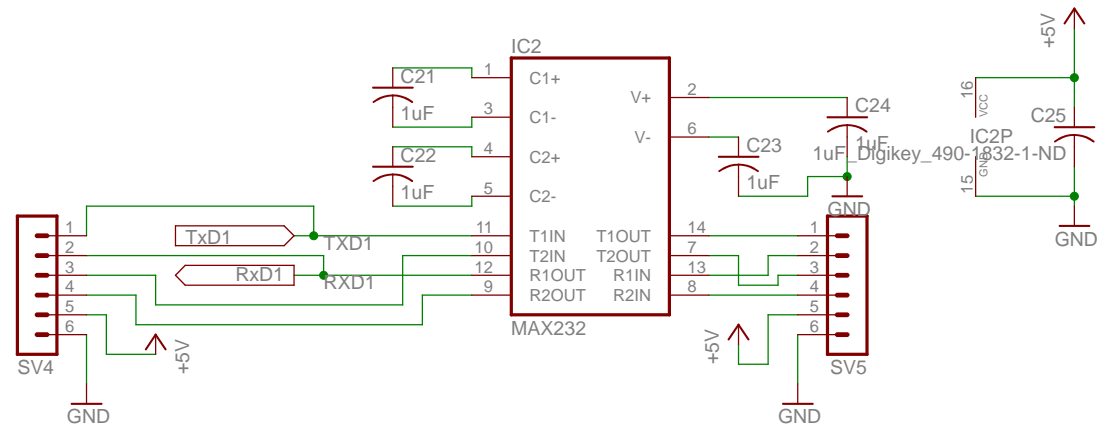
Copyright 2010 by Chris Troutner under the Creative Commons Attribution-Share Alike 3.0 License. You are free to share, distribute, and modify this product so long as you give credit to the author (Chris Troutner) and distribute any resulting work under a similar or compatible license. More details can be found at: <http://creativecommons.org/licenses/by-sa/3.0/>

### SD Memory Card Access



Copyright (c) 2005 J. Bordens

### USB to RS232 Interface



### To Do

Copyright 2010 by Chris Troutner under the Creative Commons Attribution-Share Alike 3.0 License. You are free to share, distribute, and modify this product so long as you give credit to the author (Chris Troutner) and distribute any resulting work under a similar or compatible license. More details can be found at: <http://creativecommons.org/licenses/by-sa/3.0/>

### Peripherals

TITLE: ChargeControllerV2.00\_routed

Document Number:

REV:

Date: 6/22/2010 2:14:38 PM

Sheet: 6/7

- Capacitors (1uF) are too big (physically)
- Terminal headers are no good

## Changes for next version

TITLE: ChargeControllerV2.00\_routed

Document Number:

REV:

Date: 6/22/2010 2:14:38 PM

Sheet: 7/7

