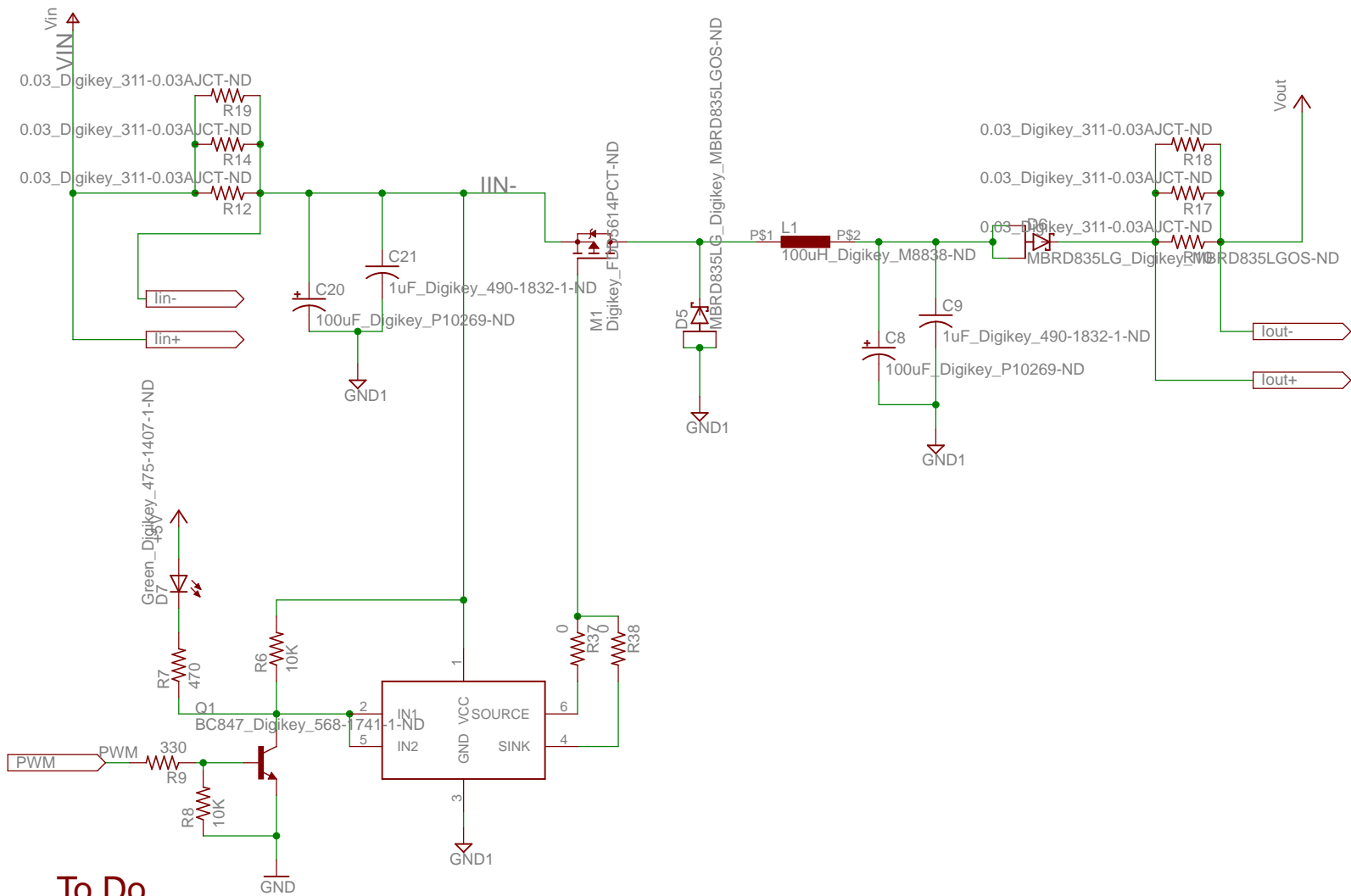


Power Supply & Analog Voltage Reference	
TITLE: ChargeControllerV1.08	
Document Number:	REV:
Date: 3/8/2010 9:26:16 AM	Sheet: 1/7

Copyright 2010 by Chris Troutner under the Creative Commons Attribution-Share Alike 3.0 License. You are free to share, distribute, and modify this product so long as you give credit to the author (Chris Troutner) and distribute any resulting work under a similar or compatible license. More details can be found at: <http://creativecommons.org/licenses/by-sa/3.0/>

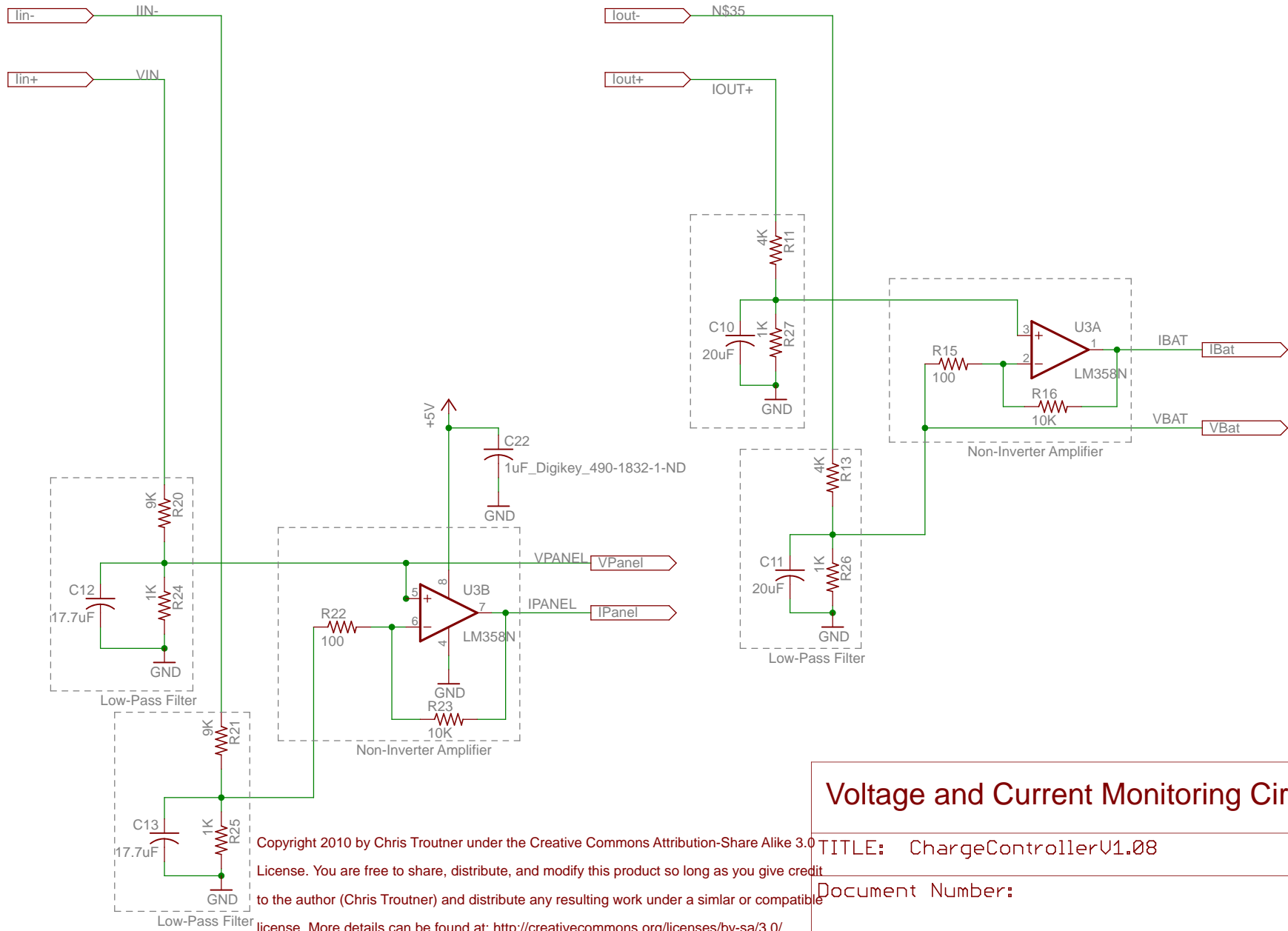


To Do

Buck Converter

Copyright 2010 by Chris Troutner under the Creative Commons Attribution-Share Alike 3.0 License. You are free to share, distribute, and modify this product so long as you give credit to the author (Chris Troutner) and distribute any resulting work under a similar or compatible license. More details can be found at: <http://creativecommons.org/licenses/by-sa/3.0/>

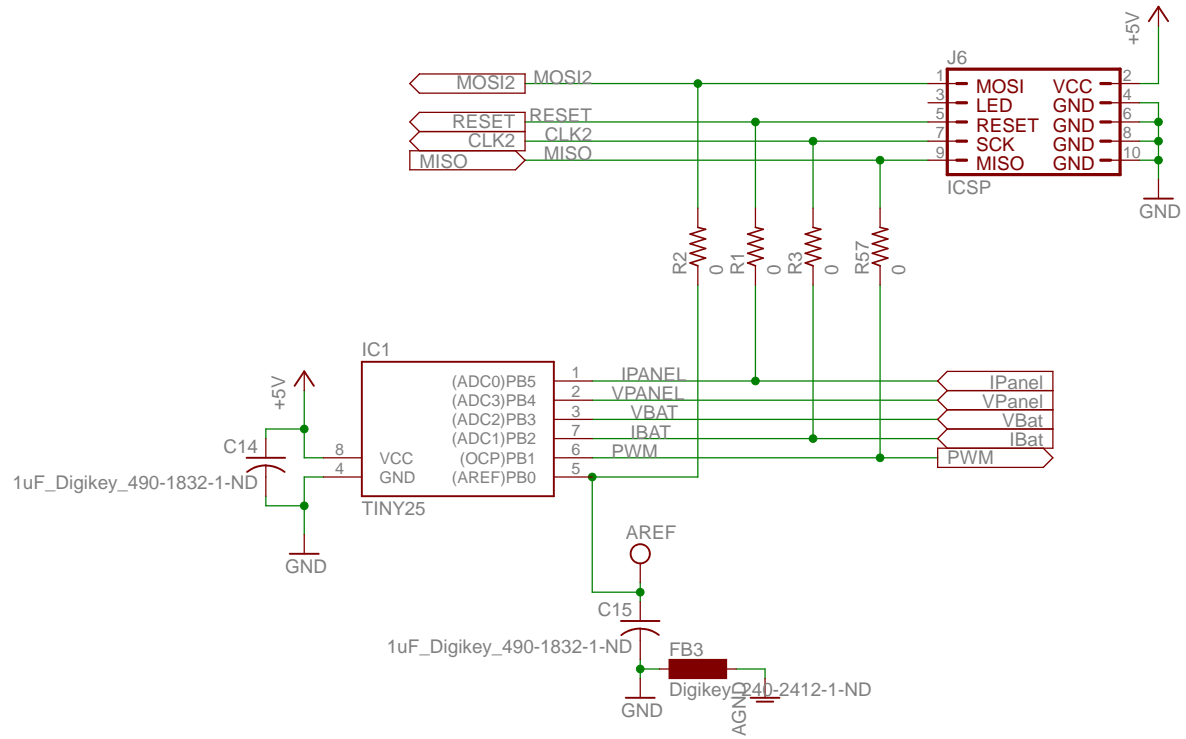
TITLE: ChargeControllerV1.08	
Document Number:	REV:
Date: 3/8/2010 9:26:16 AM	Sheet: 2/7



Voltage and Current Monitoring Circuitry

Copyright 2010 by Chris Troutner under the Creative Commons Attribution-Share Alike 3.0 License. You are free to share, distribute, and modify this product so long as you give credit to the author (Chris Troutner) and distribute any resulting work under a similar or compatible license. More details can be found at: <http://creativecommons.org/licenses/by-sa/3.0/>

TITLE: ChargeControllerV1.08	
Document Number:	REV:
Date: 3/8/2010 9:26:16 AM	Sheet: 3/7



To Do

ATTiny25

TITLE: ChargeControllerV1.08

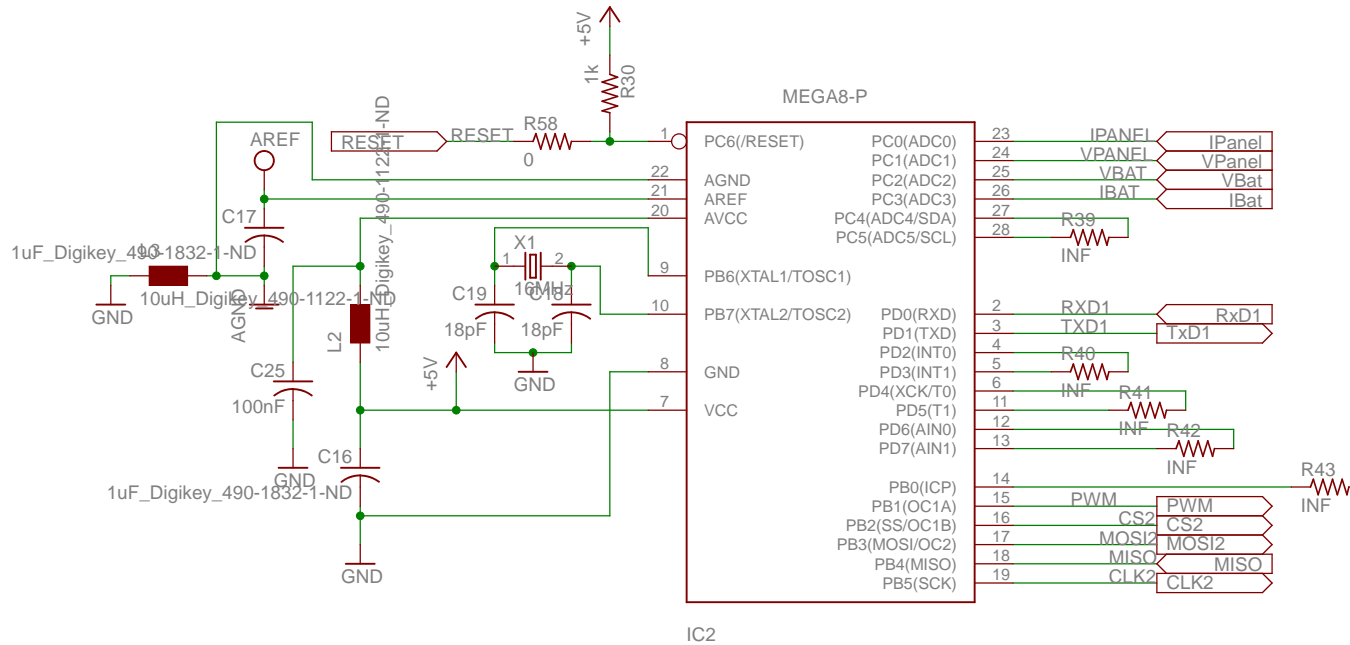
Document Number:

REV:

Date: 3/8/2010 9:26:16 AM

Sheet: 4/7

Copyright 2010 by Chris Troutner under the Creative Commons Attribution-Share Alike 3.0 License. You are free to share, distribute, and modify this product so long as you give credit to the author (Chris Troutner) and distribute any resulting work under a similar or compatible license. More details can be found at: <http://creativecommons.org/licenses/by-sa/3.0/>



To Do

ATMega8

TITLE: ChargeControllerV1.08

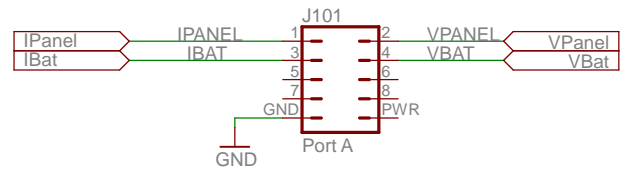
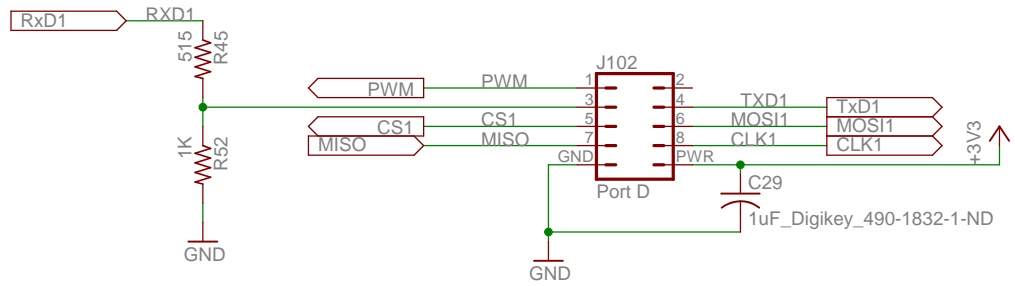
Document Number:

REV:

Date: 3/8/2010 9:26:16 AM

Sheet: 5/7

Copyright 2010 by Chris Troutner under the Creative Commons Attribution-Share Alike 3.0 License. You are free to share, distribute, and modify this product so long as you give credit to the author (Chris Troutner) and distribute any resulting work under a similar or compatible license. More details can be found at: <http://creativecommons.org/licenses/by-sa/3.0/>



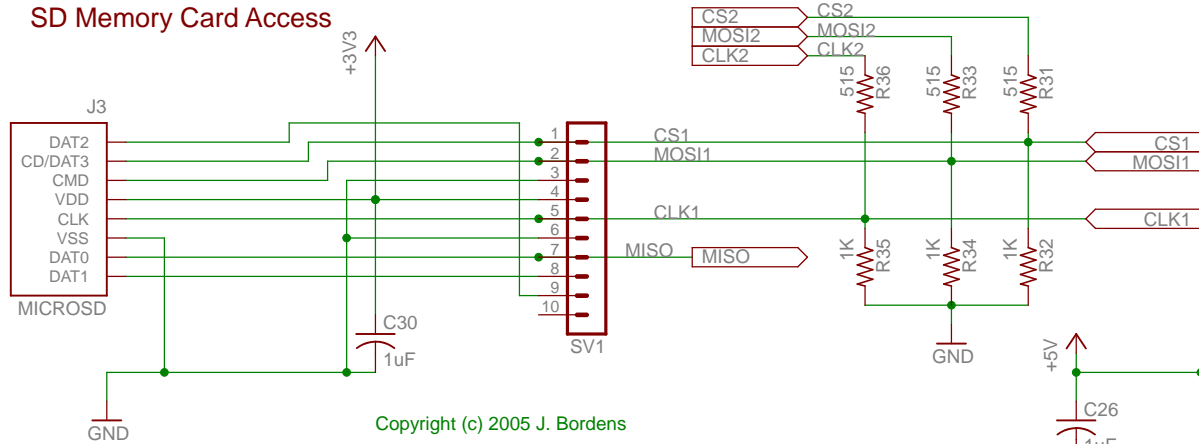
XPlain/Debug Interface

TITLE: ChargeControllerV1.08

Document Number: REU:

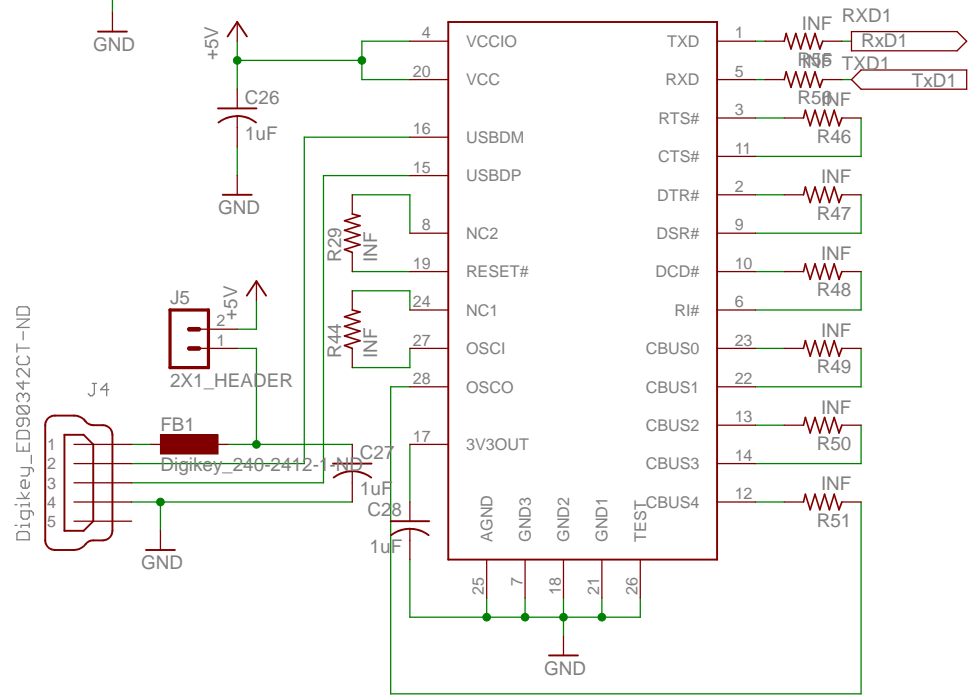
Date: 3/8/2010 9:26:16 AM Sheet: 6/7

SD Memory Card Access



Copyright (c) 2005 J. Bordens

USB to RS232 Interface



To Do

Copyright 2010 by Chris Troutner under the Creative Commons Attribution-Share Alike 3.0 License. You are free to share, distribute, and modify this product so long as you give credit to the author (Chris Troutner) and distribute any resulting work under a similar or compatible license. More details can be found at: <http://creativecommons.org/licenses/by-sa/3.0/>

Peripherals

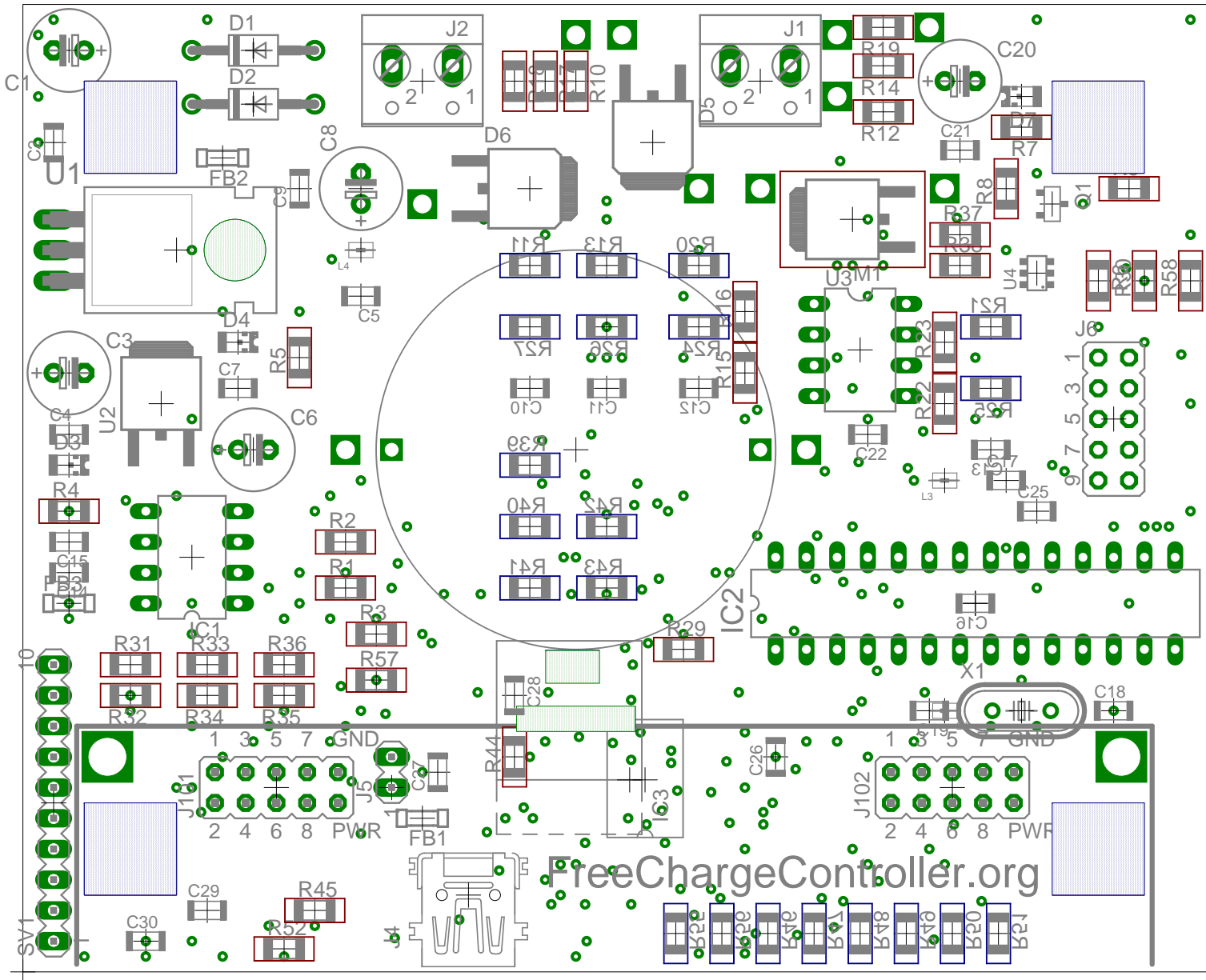
TITLE: ChargeControllerV1.08

Document Number:

REV:

Date: 3/8/2010 9:26:16 AM

Sheet: 7/7



FreeChargeController.org

