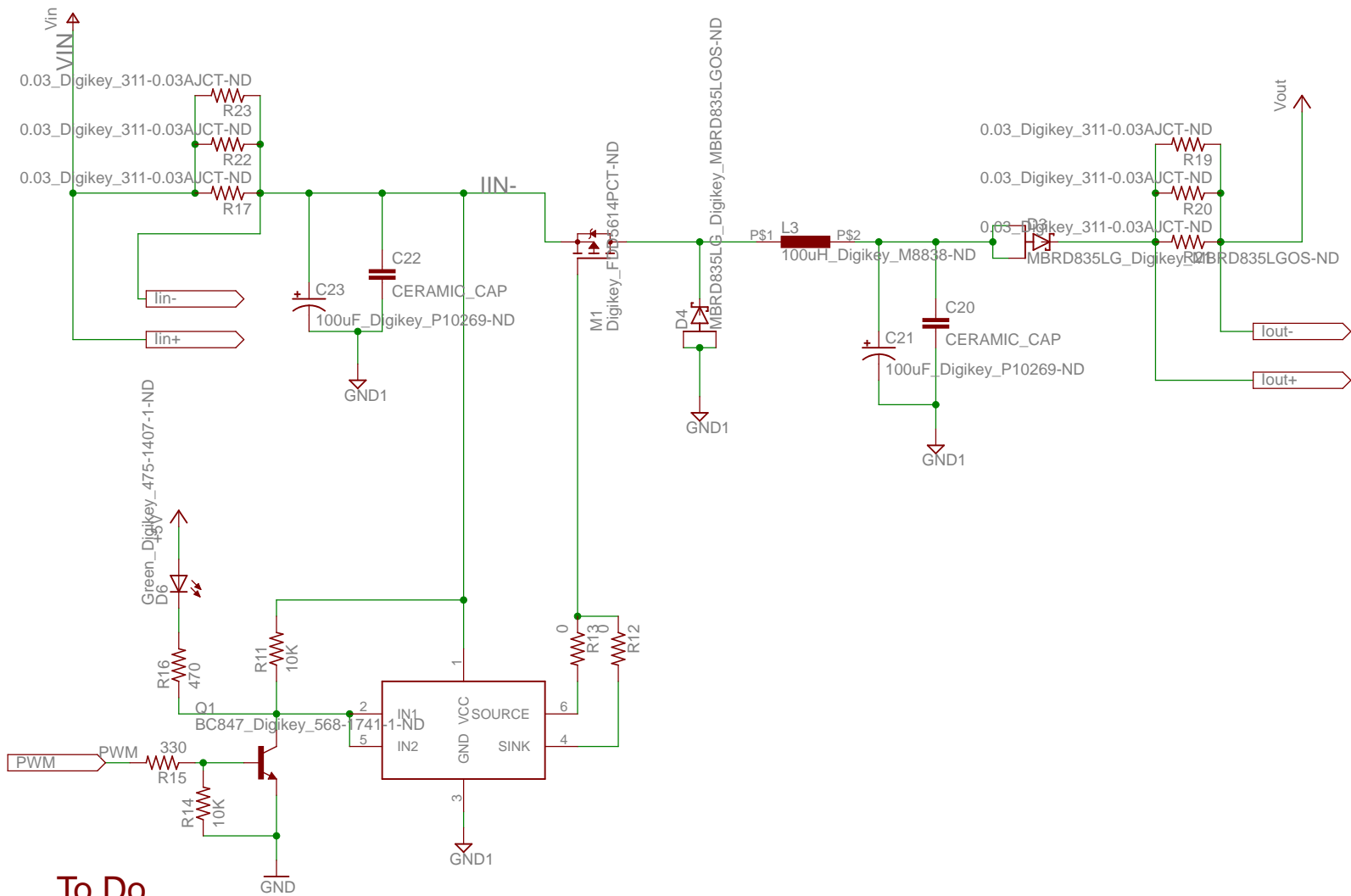


Power Supply & Analog Voltage Reference	
TITLE: ChargeControllerV3.00	
Document Number:	REV:
Date: 12/8/2010 12:38:07 PM	Sheet: 1/7

Copyright 2010 by Chris Troutner under the Creative Commons Attribution-Share Alike 3.0 License. You are free to share, distribute, and modify this product so long as you give credit to the author (Chris Troutner) and distribute any resulting work under a similar or compatible license. More details can be found at: <http://creativecommons.org/licenses/by-sa/3.0/>

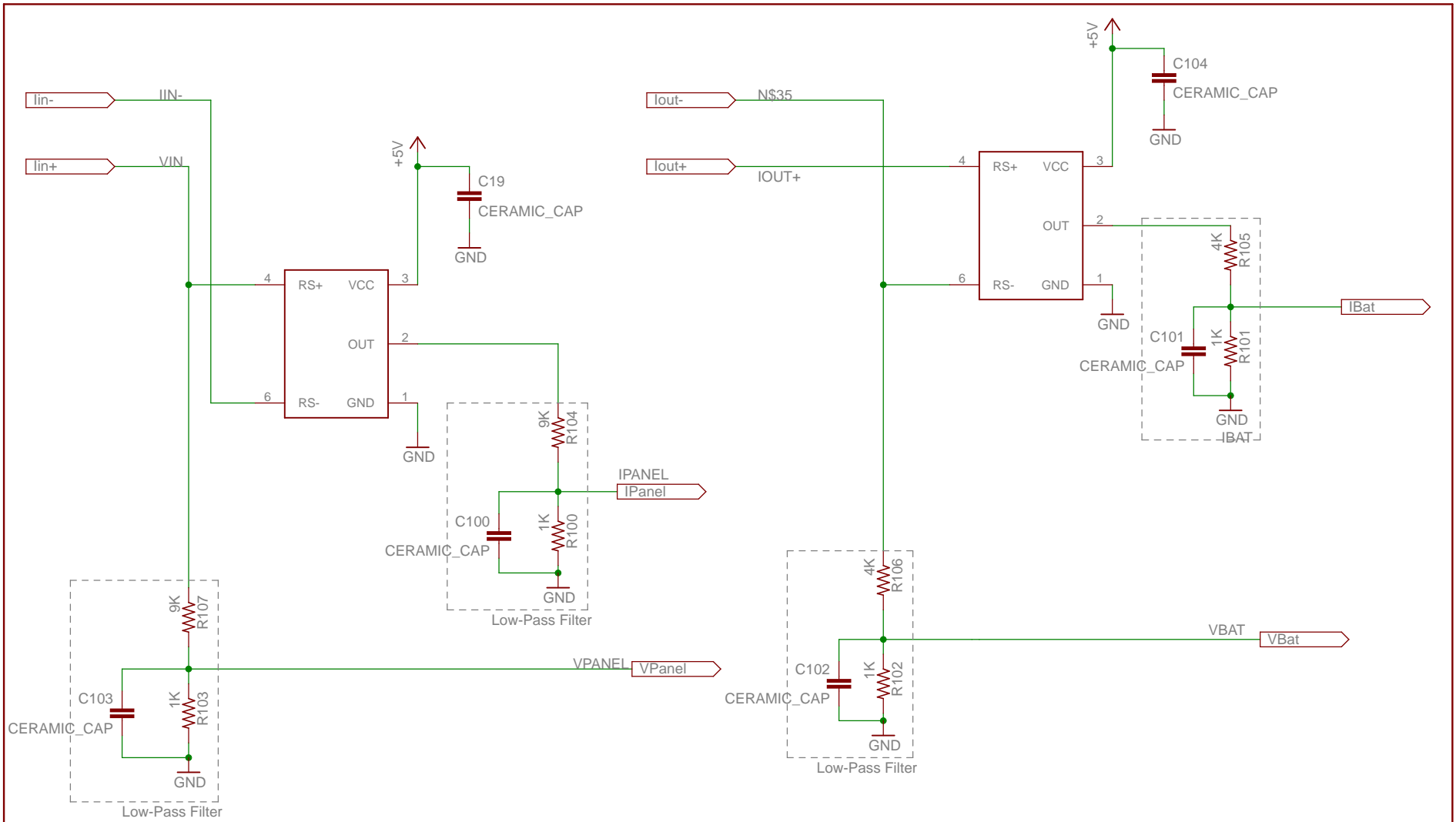


To Do

Buck Converter

Copyright 2010 by Chris Troutner under the Creative Commons Attribution-Share Alike 3.0 License. You are free to share, distribute, and modify this product so long as you give credit to the author (Chris Troutner) and distribute any resulting work under a similar or compatible license. More details can be found at: <http://creativecommons.org/licenses/by-sa/3.0/>

TITLE: ChargeControllerV3.00	
Document Number:	REV:
Date: 12/8/2010 12:38:07 PM	Sheet: 2/7



Voltage and Current Monitoring Circuitry

Copyright 2010 by Chris Troutner under the Creative Commons Attribution-Share Alike 3.0 License. You are free to share, distribute, and modify this product so long as you give credit to the author (Chris Troutner) and distribute any resulting work under a similar or compatible license. More details can be found at: <http://creativecommons.org/licenses/by-sa/3.0/>

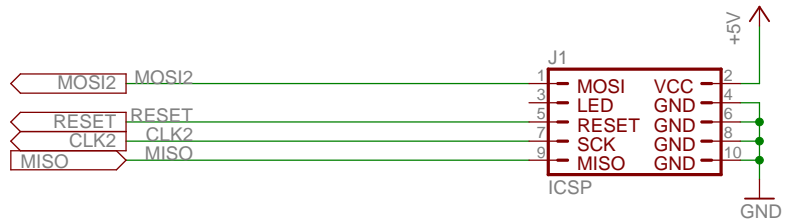
TITLE: ChargeControllerV3.00

Document Number:

REV:

Date: 12/8/2010 12:38:07 PM

Sheet: 3/7



To Do

ICP Header

Copyright 2010 by Chris Troutner under the Creative Commons Attribution-Share Alike 3.0 License. You are free to share, distribute, and modify this product so long as you give credit to the author (Chris Troutner) and distribute any resulting work under a similar or compatible license. More details can be found at: <http://creativecommons.org/licenses/by-sa/3.0/>

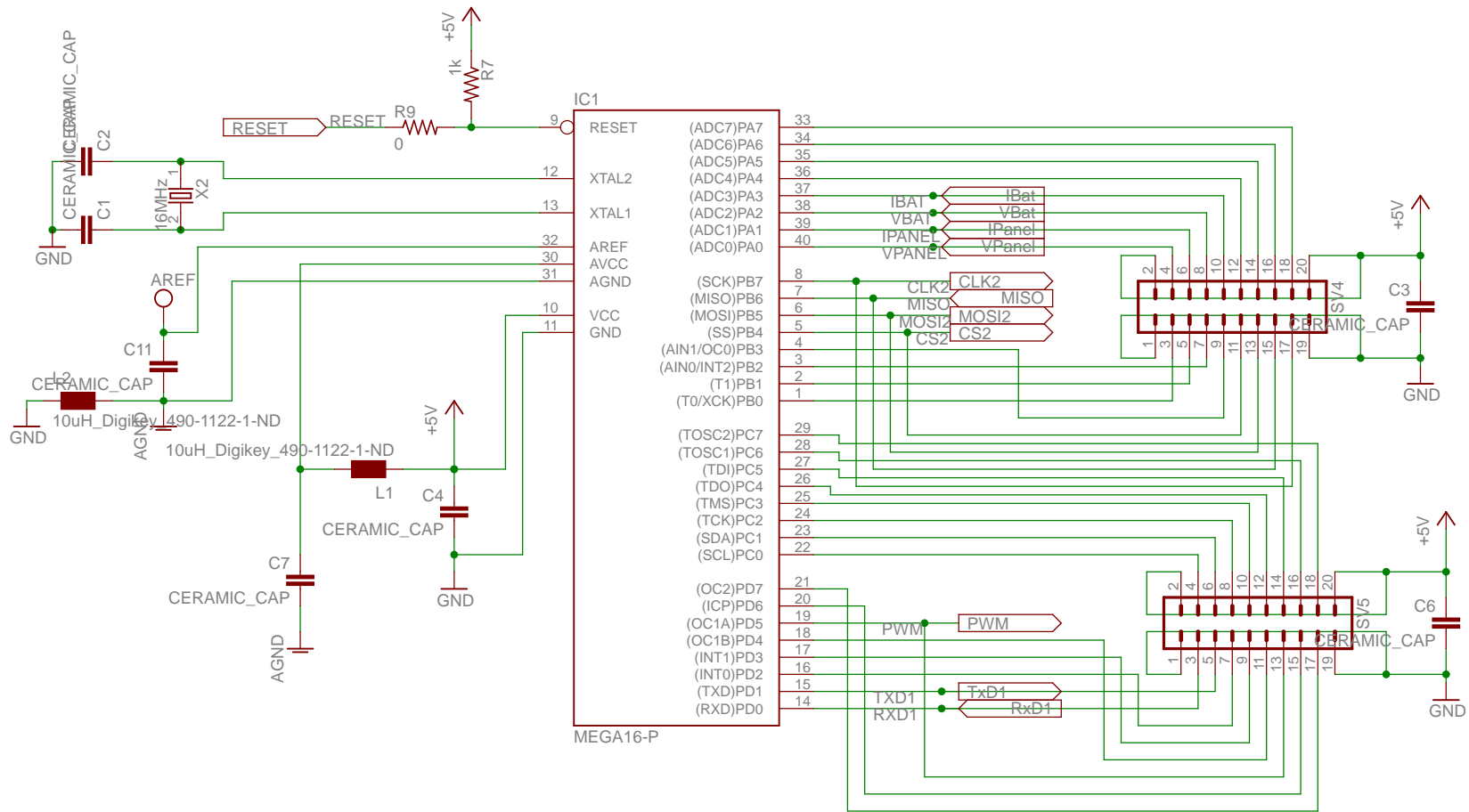
TITLE: ChargeControllerV3.00

Document Number:

REV:

Date: 12/8/2010 12:38:07 PM

Sheet: 4/7



ATMega16/32/64 Interface

TITLE: ChargeControllerV3.00

Document Number:

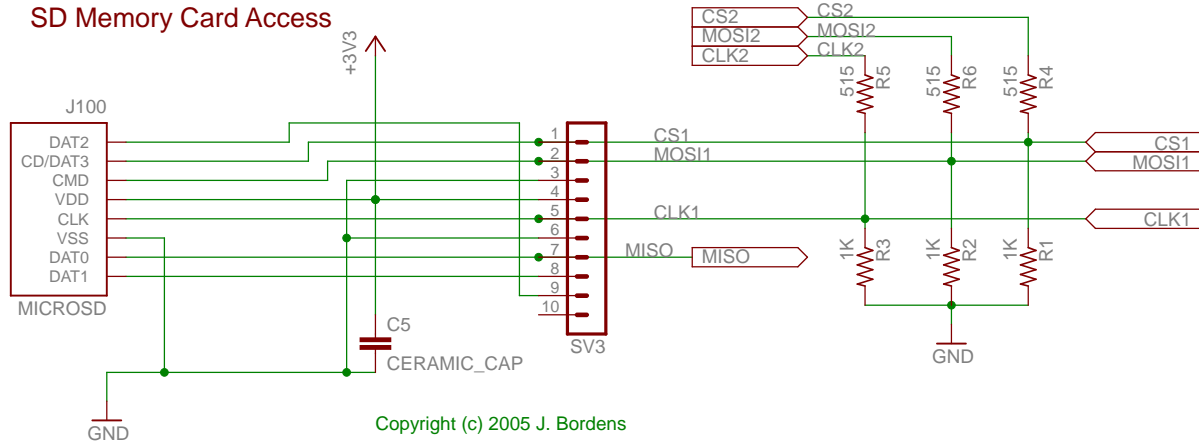
REV:

Date: 12/8/2010 12:38:07 PM

Sheet: 5/7

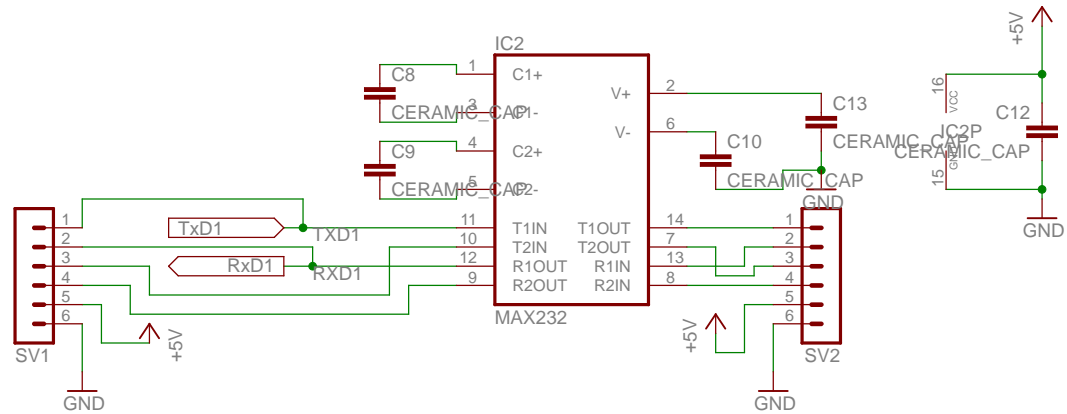
Copyright 2010 by Chris Troutner under the Creative Commons Attribution-Share Alike 3.0 License. You are free to share, distribute, and modify this product so long as you give credit to the author (Chris Troutner) and distribute any resulting work under a similar or compatible license. More details can be found at: <http://creativecommons.org/licenses/by-sa/3.0/>

SD Memory Card Access



Copyright (c) 2005 J. Bordens

USB to RS232 Interface



To Do

Copyright 2010 by Chris Troutner under the Creative Commons Attribution-Share Alike 3.0 License. You are free to share, distribute, and modify this product so long as you give credit to the author (Chris Troutner) and distribute any resulting work under a similar or compatible license. More details can be found at: <http://creativecommons.org/licenses/by-sa/3.0/>

Peripherals

TITLE: ChargeControllerV3.00	
Document Number:	REV:
Date: 12/8/2010 12:38:07 PM	Sheet: 6/7

- Verify voltage limit of capacitors
- Fix load and source ground traces
- Give all parts a 'keep out' area against vias
- Play with v1.08 board to see if I should put the USB RS-232 Connection back in
- Move C20 and C19?

Changes for next version

TITLE: ChargeControllerV3.00

Document Number:

REV:

Date: 12/8/2010 12:38:07 PM

Sheet: 7/7

